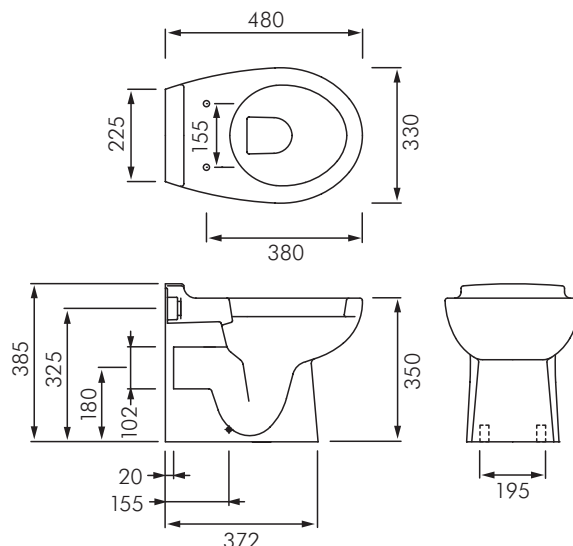


RA-JU1113 JUNIOR WALL FACED TOILET PAN

RAK
CERAMICS



DESCRIPTION

The Junior wall faced toilet pan is best suited to child care centres, junior schools or other child focussed facilities. The Junior WC has been designed exclusively with children in mind. The wall faced toilet pan is low and wide and has a modern look and feel. Supplied complete with the Bambi Plus toilet seat and lid or with seat only

Complimenting the Junior pan is the Lena wall hung basin ref RA-LE2110.

Colour: Alpine white only.

Trap type: P-trap outlet connection.

Inlet: Ø55mm inlet connection.

Fixing: FS37UK floor fixing kit included.

Seat: Bambi Plus urea seat and lid.

Dimensions: All dimensions in mm. Tolerance $\pm 5\%$ for below 200mm and $\pm 3\%$ above 200mm.

Flushing: Refer separate literature for our Zurn flushing valves and Wisa inwall cisterns.

MODELS

RA-JU1113 - RAK Junior toilet pan P-trap complete with Urea soft close seat & lid.



Auckland (Head Office)

20 Carr Rd, Three Kings
Auckland 1042
P: 09 624 1115
E: sales@macdonaldindustries.co.nz
www.macdonaldindustries.co.nz

Christchurch

32B Hayton Road
Wigram, Christchurch
03 348 2356
christchurch@macdonaldindustries.co.nz

Wellington

04 569 8033