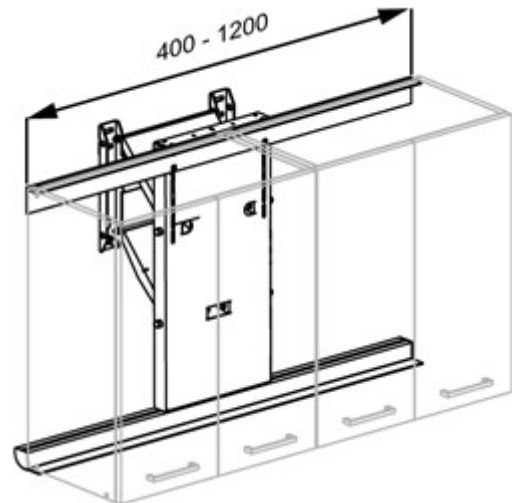


PR-RK142x PRESSALIT ELECTRICAL HEIGHT ADJUSTABLE CUPBOARD LIFT FRAME



DESCRIPTION

A height adjustable electronic lift cupboard frame from Pressalit consists of wall mounted lifting units for kitchen wall cupboards. The lifting units will carry up to 110 kg (1 motor) and 220kg (with 2 motors) (including cupboard weight).

The Indivo lift for the kitchen wall cupboards comes with between one and two motors depending on the size of the wall cupboard. The kitchen wall cupboard is height adjustable by 430mm and also moves 180mm towards the user. Adjustment of the wall cabinet is via a switch located under the leading edge of the benchtop.

A height-adjustable kitchen wall cupboard provide extra storage options where traditional under bench cupboards cannot be installed out of considerations for seated users.

Material: Lift Motor: Steel

Cross braces: Aluminium

Switches: ABS plastic

Noise level: 48dB

Speed Up and down mm: 18mm/s

Power: 230V / 50Hz

Power Consumption: Maximum load, watt: 187W

Standby: 1.5 W

MODELS

PR-RK1420 - Pressalit Electrical Height Adjustable Cabinet Lift Frame For Cupboards With 1x Motor and 2x Brackets 400 - 1200mm.

PR-RK1421 - Pressalit Electrical Height Adjustable Kitchen Lift Frame For Cupboards With 2x Motors and 2x Brackets 1201 - 2400mm.

NOTE: It is the responsibility of the installer to ensure that suitable wall fasteners are used. Product does not come with fixing kit.



**MACDONALD
INDUSTRIES LIMITED**

Auckland (Head Office)

20 Carr Rd, Three Kings

Auckland 1042

09 624 1115

sales@macdonaldindustries.co.nz

macdonaldindustries.co.nz

Christchurch

32B Hayton Road, Wigram

Christchurch 8042

03 348 2356

christchurch@macdonaldindustries.co.nz

Wellington

04 569 8033