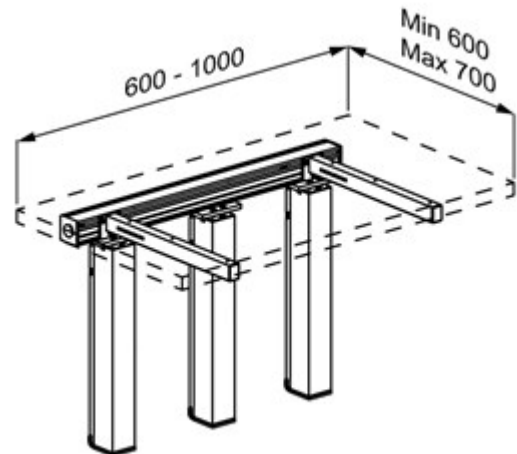


PR-RK125xxxx

PRESSALIT ELECTRICAL HEIGHT ADJUSTABLE WALL MOUNTED KITCHEN LIFT FRAME



DESCRIPTION

A height adjustable electronic lift kitchen frame from Pressalit consists of wall mounted lifting units for benchtops. The lifting units will carry up to 150 kg (evenly distributed including worktop weight) and can be fitted with most commercially available kitchen worktops and appliances.

The Indivo lift for the kitchen worktops comes with two or three motors depending on the size of the workbench. Kitchen worktops can be adjusted in height (up to 300mm) with either a switch or wired remote.

An electronic height-adjustable kitchen worktop is ideal in all situations where various users - both seated and standing use the same kitchen. This is equally true in private homes as well as larger centres with common kitchen facilities such as group homes and care centres.

Colour: Grey (RAL 9006)

Noise level: 45dB

Speed Up and down mm: 20mm/s

Power: 230V / 50Hz

Power Consumption: Maximum load, watt: 300W

Standby: 2 W

Material: Lifting columns and brackets - Powder-coated steel

MODELS

- PR-RK1250202 - Electrical Height Adjustable Kitchen Lift Frame For Worktop with two Brackets 600 - 1000mm.
- PR-RK1251202 - Electrical Height Adjustable Kitchen Lift Frame For Worktop with two Brackets, 1001 - 1400mm.
- PR-RK1252202 - Electrical Height Adjustable Kitchen Lift Frame For Worktop With three Brackets 1401 - 2000mm.
- PR-RK1253202 - Electrical Height Adjustable Kitchen Lift Frame For Worktop with four Brackets 2001 - 2400mm.
- PR-RK1254202 - Electrical Height Adjustable Kitchen Lift Frame For Worktop with five Brackets 2401 - 3000mm

REQUIRED OPTIONS

- PR-1045 - Pressalit Indivo Wired Remote Control.
- PR-RK1354 - Pressalit Switch For Fascia In Black.
- PR-RK1355 - Pressalit Switch For Fascia In Silver.

OPTIONAL OPTIONS

- PR-RK9061 - Pressalit Flexible Feed & Waste System
- PR-RK1043 - Pressalit Installation Grey Cover
- PR-RK1043000 - Pressalit Installation White Cove

NOTE: It is the responsibility of the installer to ensure that suitable wall fasteners are used. Product does not come with fixing kit.



**MACDONALD
INDUSTRIES LIMITED**

Auckland (Head Office)

20 Carr Rd, Three Kings
Auckland 1042
09 624 1115
sales@macdonaldindustries.co.nz
macdonaldindustries.co.nz

Christchurch

32B Hayton Road, Wigram
Christchurch 8042
03 348 2356
christchurch@macdonaldindustries.co.nz

Wellington

04 569 8033