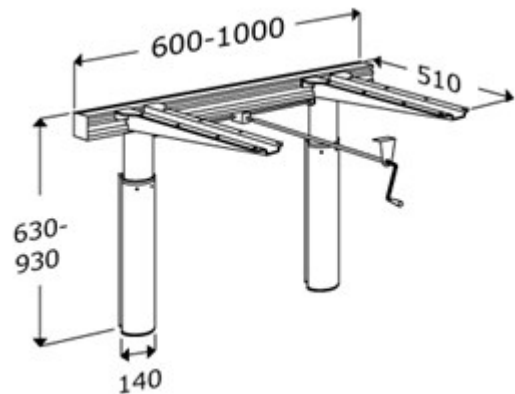


PR-RK111x PRESSALIT MANUAL HEIGHT ADJUSTABLE KITCHEN LIFT FRAME



DESCRIPTION

A height adjustable manual lift kitchen frame from Pressalit consists of wall mounted lifting units for benchtops. The lifting units will carry up to 100 kg (evenly distributed including worktop weight) and can be fitted with most commercially available kitchen worktops and appliances.

The Indivo lift for the kitchen worktops comes with between two and five brackets depending on the size of the workbench. Kitchen worktops can be adjusted in height using the crank handle (folds away when not in use). All units are height adjustable up to 300 mm with switch or wired remote control.

A height-adjustable kitchen worktop is ideal in all situations where various users - both seated and standing use the same kitchen. This is equally true in private homes as well as larger centres with common kitchen facilities such as group homes and care centres.

Colour: Grey (RAL 9006)

Material: Telescopic leg Aluminium & ABS Plastic
Brackets and crank handle - steel

MODELS

- PR-RK1110 - Manual height adjustable lift frame for worktop comes with 2 brackets for 600 - 1000mm
- PR-RK1111 - Manual height adjustable lift frame for worktop comes with 2 brackets for 1001 - 1400mm
- PR-RK1112 - Manual height adjustable lift frame for worktop comes with 3 brackets for 1401 - 2000mm
- PR-RK1113 - Manual height adjustable lift frame for worktop comes with 4 brackets for 2001 - 2400mm
- PR-RK1114 - Manual height adjustable lift frame for worktop comes with 5 brackets for 2401 - 3000mm

OPTIONAL EXTRAS

- PR-RK9061 - Pressalit Flexible Feed & Waste System
- PR-RK1043000 - Pressalit Installation White Cover.
- PR-RK1043 - Pressalit Installation Grey Cover.

NOTE: It is the responsibility of the installer to ensure that suitable wall fasteners are used. Product does not come with fixing kit.