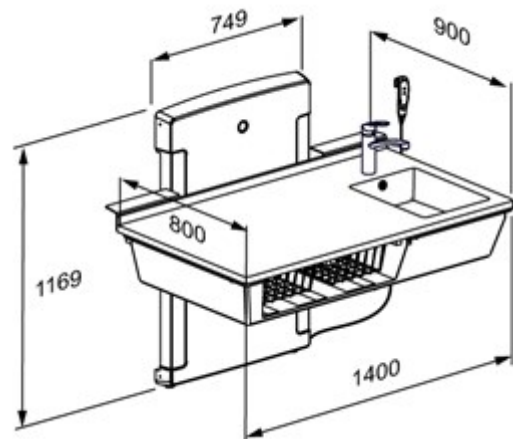


PR-R8684000

PRESSALIT ELECTRICALLY HEIGHT ADJUSTABLE BABY CHANGE TABLE WITH SINK AND MIXER



DESCRIPTION

The Pressalit low start baby change table is designed to descend to a very low position to allow toddlers to be able to climb onto the worktop themselves. Thereby unnecessary lifting is avoided.

The low start baby change table is adjustable in height (by 700mm) from 300 - 1000mm using a wired remote. The unit comes with a moulded worktop with intergrated sink including lever operated mixer tap, feed and waste system and two wire baskets.

PRODUCT

Unit Colour: WHITE
Maximum LOAD: 75kg
Materials Lifting unit and baskets: Powder-laquered steel.
Worktop: ABS with acrylic.
Mains power 230V / 50Hz
Size: 800 x 1400mm
Speed up and down mm: 38mm/s
Noise Level: 48 dB
Power consumption by maximum load watt: 96 W
Power consumption by standby: 0,1 W

MODELS

PR-R8684000 - Pressalit Electrically Height Adjustable Baby Change Table With Sink And Mixer.

REQUIRED OPTION

PR-R8703378 - Pressalit Baby Change Table Mattress In Navy Blue.

PR-R8703432 - Pressalit Baby Change Table Mattress In Medium Grey.

NOTE: It is the responsibility of the installer to ensure that suitable wall fasteners are used. Product does not come with fixing kit.

Auckland (Head Office)

20 Carr Rd, Three Kings
Auckland 1042
09 624 1115
sales@macdonaldindustries.co.nz
macdonaldindustries.co.nz

Christchurch

32B Hayton Road, Wigram
Christchurch 8042
03 348 2356
christchurch@macdonaldindustries.co.nz

Wellington

04 569 8033