

## Model 100-SSC-SM Clad Stainless Steel Changing Station Installation Instructions (Surface Mount)



Thank you for purchasing a quality MacDonalD's product. Our goal is 100% consumer satisfaction! If, for any reason you are not satisfied or if you have questions regarding your product or installation, please contact our customer service team at our Auckland Office on 09 624 1115.

### **WARNING**

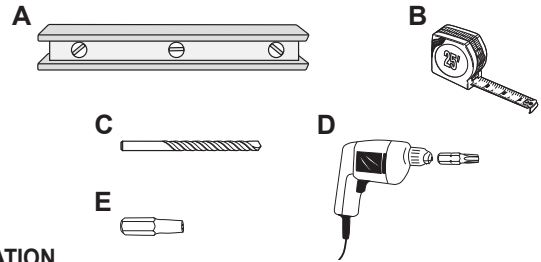
- Failure to follow these warnings and the installation instructions could result in serious injury or death.
- Read all instructions before installing diaper changing station. Keep these instructions. **DO NOT** discard.

# INSTALLATION INSTRUCTIONS

ADULT INSTALLATION REQUIRED.

## TOOLS REQUIRED:

- Level (A)
- Measuring tape (B)
- Power drill with 3/16", 1/2" and 1/8" masonry bit (C)
- Power screwdriver with bull nose phillips bit (D)
- Truss head spanner bit (E)



- READ ALL INSTRUCTIONS BEFORE ASSEMBLY OF DIAPER CHANGING STATION.
- Unpack carton and identify all parts.

## ⚠ WARNING

- This changer has six (6) recess mounting holes.
- The diaper changing station is no stronger than the anchors or walls to which they are attached and, therefore, **MUST** be firmly secured in order to support the weight they are intended to support. Contact an architect or building contractor if any questions.
- A stud **MUST** be located and used for at least one side of the diaper changing station.

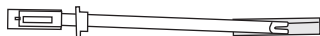
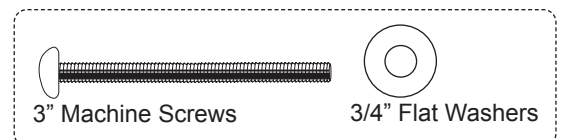
## PARTS LIST

Parts Description	Quantity
Hardware for installation:	
3" x 1/4" Wood Screws	4
3/4" Finishing Washers	4
3" x 1/4" Machine Screws	2
3/4" Flat Washers	4
Toggle Anchors	2
Door / Wall Plate	1

For Wood Studs:



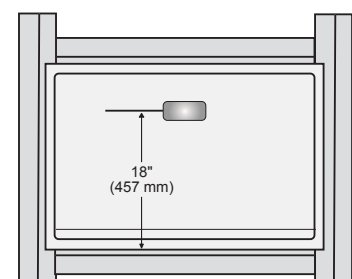
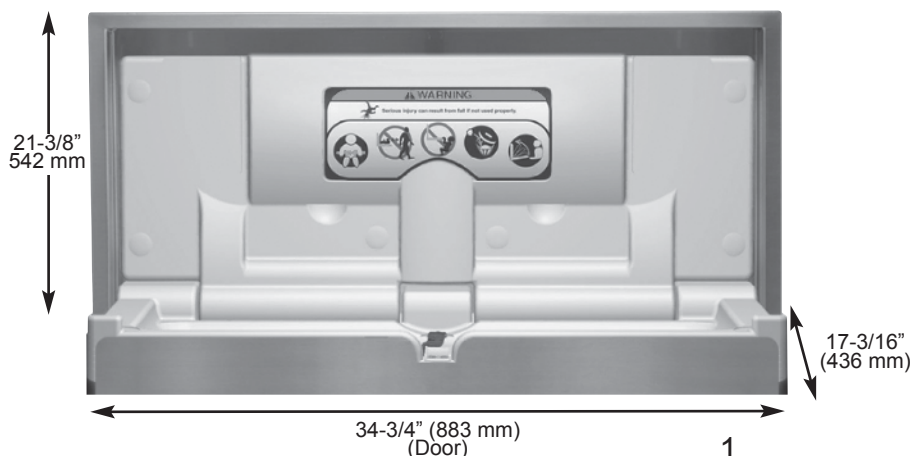
For Use With Toggle Anchors:



Toggle Anchors



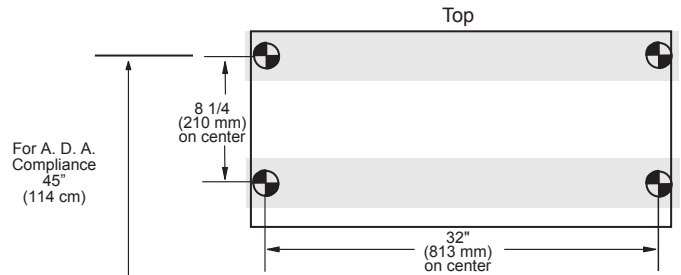
Door / wall plate to be mounted on outside of restroom door.



# INSTALLATION

## Recommended Blocking:

Wood double stud blocking is necessary. Contact an architect and building official to make sure the blocking is adequate and complies with building codes (**Fig. a**).



**Fig. a**

1. Remove and discard Truss Head Spanner screws from unit back (**Fig. b**).
2. Locate wood stud where left side of changing station will be mounted to the wall.
3. For **A. D. A.** compliance, measure up 45" (114 cm) from the floor and mark the wall. This locates the position for the top left attachment hole.  
**NOTE:** Mark on wall **MUST** be in center of wood stud.
4. Lay top section of changing station down on changing station bed (**Fig. c**) and align hole in top left corner of changing station with mark on wall and hold in place.
5. Using a level and measuring tape, mark the remaining three (3) holes. After marking holes, set changing station down on ground.
6. Use a power drill and appropriate bit to drill four (4) holes in the wall. This may require 2 people.

### NOTE 1: For wood studs:

- If finished wall surface is tile or masonry over wood studs, use a 7/32" masonry bit for the pilot hole until you hit the wood stud, then change to 1/8" bit.
- Use wood screws, finishing washers and flat washers (**Fig. d**).

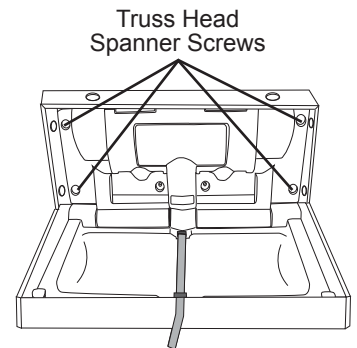
### NOTE 2: For use with toggle anchors:

- If finished wall surface has wood studs that are not 16" on center, has metal studs, or has an underlying surface of concrete block, use 1/2" bit.
- Use machine screws and flat washers (**Fig. e**).
- For holes **NOT** located in a wood stud, toggle anchors **MUST** be used (**Fig. f**). See "Using Toggle Anchors" section.

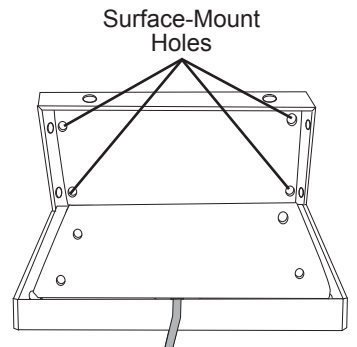
7. Rotate plastic top section back up so that mounting hardware goes through the plastic as well as the metal back (**Fig. b**).

**NOTE:** This unit incorporates a finishing collar that seats behind the changer's outside flange. Center the collar as the unit is being tightened against the wall (**Fig. g**).

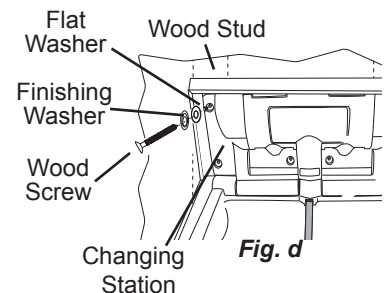
8. Align holes in changing station with drilled holes and secure top left corner of changing station to wall stud using the appropriate screw and washer. Continue to secure the three (3) remaining corners using the appropriate screws and washers as described in **Note 1** or **Note 2**.



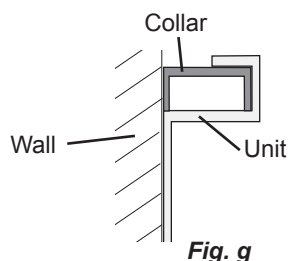
**Fig. b**



**Fig. c**



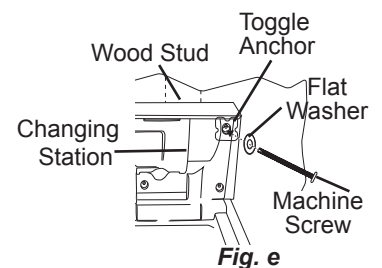
**Fig. d**



**Fig. g**



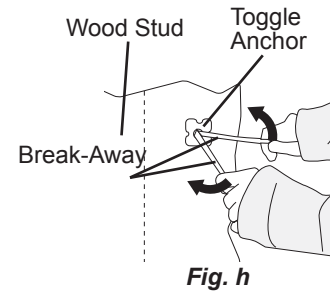
**Fig. f**



**Fig. e**

### **Using Toggle Anchors (Fig. f):**

1. Insert metal end of toggle anchor into 1/2" hole.
2. Slide zip strip down snugly against wall.
3. Snap off break-away pieces of toggle anchor (**Fig. h**).
4. Align holes in changing station with toggle anchors and secure top left corner of changing station to wall using machine screws and flat washers. Continue to secure the three (3) remaining corners using machine screws and flat washers.
5. Ensure all four (4) screws are tight and snap caps over screw heads.

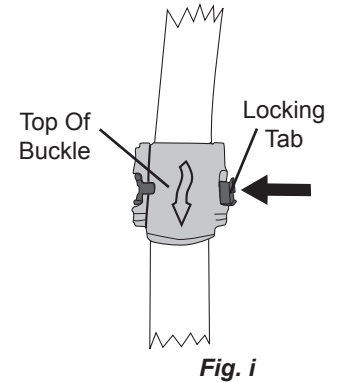


### **OPERATION:**

Rotate base downward. Place infant on top of the changing surface. Use restraint system as described below. After child has been changed, remove restraint system and rotate base back up against the wall.

### **USE OF RESTRAINT SYSTEM:**

Place child so restraint strap is located at abdomen. Rotate top of buckle upward and insert strap in buckle. Pull strap through buckle until snug against infant. Rotate top of buckle downward to lock the strap into place. Slide red locking tab over top of buckle (**Fig. i**). Reverse steps to loosen strap.



### **MAINTENANCE AND CLEANING:**

Check all hardware and components monthly or as required to ensure hardware is tight and there are no missing or damaged components. Take unit out of service if any component is missing or damaged and contact customer service to order replacement parts. Do not substitute parts. For replacement parts, contact customer service at our Auckland office on 09 624 1115.

Clean by using a damp cloth with mild soap or mild multi-purpose cleaner. Do not use any strong chemical cleaners or cleaning agents that may be hazardous to children.

## **⚠ WARNING**

- **Child should never be left unattended.**
- **Avoid serious injury from falling or sliding out. Always use restraint system.**
- **Adding excessive weight such as parcels, packages, or accessories to the unit or to the bag hooks that exceed the total weight limit of 50 pounds (22.7 kg) may cause the unit to be unstable or may cause a hazardous unstable condition to exist.**